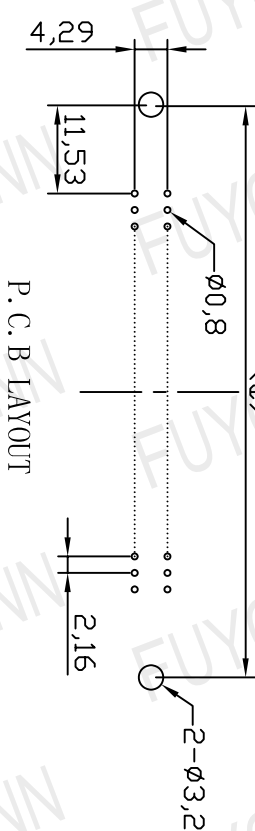
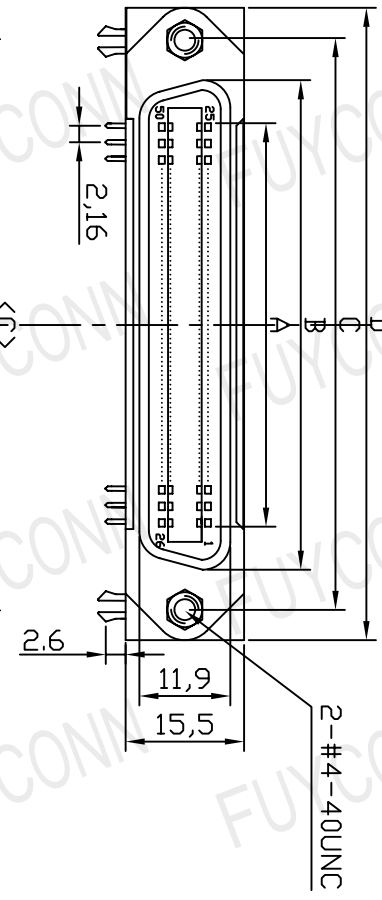
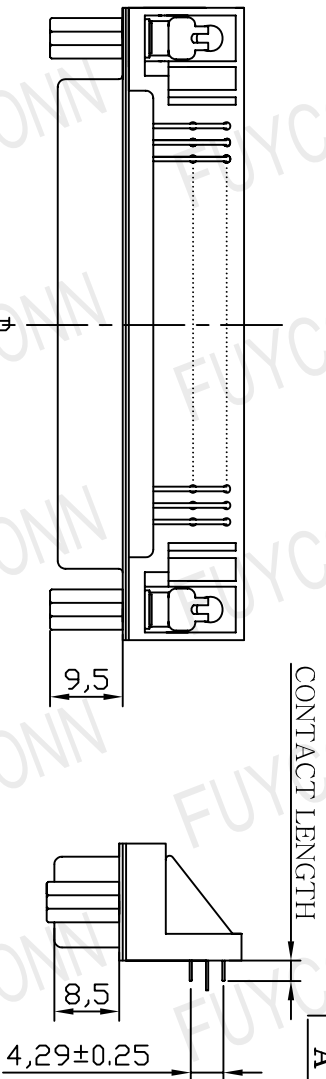
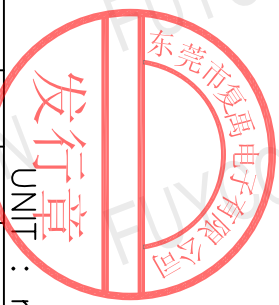
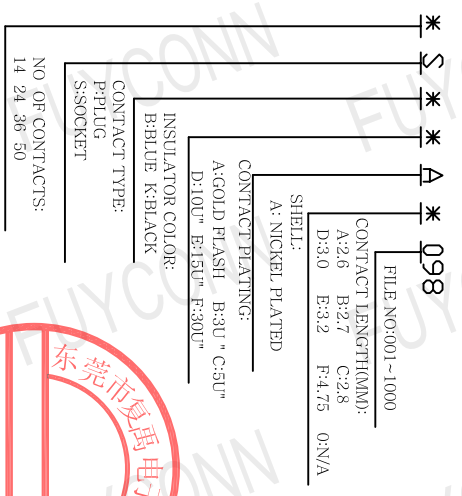


REV	DATE	DESCRIPTION
A	2009-4-07	



Positions	A	B	C	D
14	12.96	25.2	36.0	44.0
24	23.76	36.0	46.8	54.8
36	36.72	48.9	59.7	67.7
50	51.84	64.0	74.9	82.8

Material & finish
 SHELL:
 steel Zinc plated, Tin plated
 or Nickel plated steel
 PIN CONTACT:
 Phosphor bronze or brass
 Gold Plated
 INSULATOR:
 PBT & Glass-fibre reinforced
 UL-94-V0
 CURRENT RATING:5Amp
 DIELECTRIC STRENGTH:
 1000V for one minute
 INSULATOR RESISTANCE:
 1000MΩ MIN.(at 500 V DC)
 CONTACT RESISTANCE:25mΩ Max. mated
 TEMPERATURE:
 -55°C to +105°C



UNIT : mm

FUYCONN
 东莞市复禹电子有限公司
 DONG GUAN FUYCONN ELECTRONICS CO., LTD

MODEL NAME:
 57-90度母DIP平孔型9.5*14.0六
 角螺母铆合2.67字片正向

SELECT	DIM TOL	1	2	3	EXTRA
0.000	0.05	0.05	0.10	0.10	
0.00	0.10	0.15	0.20	0.20	
0.0	0.15	0.25	0.30	0.30	
0.	0.25	0.30	0.40	0.40	
ANGLE	1.0°	3.0°	5.0°		

PART NO. 57RR**S**A*098
 APPROVED BY: FILE NO. FUY57098
 CHECKED BY: SCALE:
 DRAW BY: 周胤或 DATE: 2009-4-07